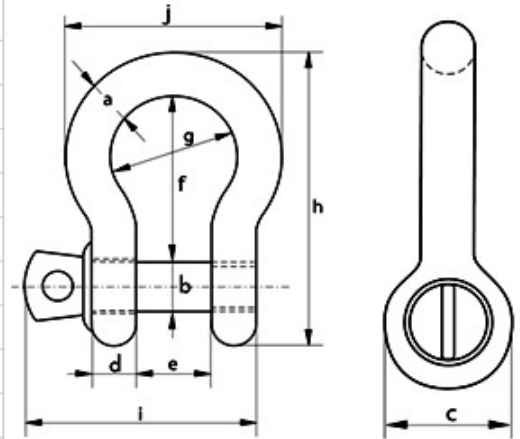


Bow Shackle Specifications

Green Pin Bow Shackle With Screw Pin

WLL	Bow Dia	Pin Dia	Eye Dia	Width Eye	Width Inside	Length Inside	Width Bow	Length	Width Bow	Weight Each
tons	a mm	b mm	c mm	d mm	e mm	f mm	g mm	h mm	j mm	kg
0.33	5	6	12	5	9.5	22	16	36	26	0.02
0.5	7	8	16.5	7	12	29	20	48.5	34	0.05
0.75	9	10	20	9	13.5	32	22	56	40	0.1
1	10	11	22.5	10	17	36.5	26	63.5	46	0.14
1.5	11	13	26.5	11	19	43	29	74	51	0.19
2	13.5	16	34	13	22	51	32	89	58	0.36
3.25	16	19	40	16	27	64	43	110	75	0.63
4.75	19	22	46	19	31	76	51	129	89	1.01
6.5	22	25	52	22	36	83	58	144	102	1.5
8.5	25	28	59	25	43	95	68	164	118	2.21
9.5	28	32	66	28	47	108	75	185	131	3.16
12	32	35	72	32	51	115	83	201	147	4.31
13.5	35	38	80	35	57	133	92	227	162	5.55
17	38	42	88	38	60	146	99	249	175	7.43
25	45	50	103	45	74	178	126	300	216	12.84
35	50	57	111	50	83	197	138	331	28	18.15
42.5	57	65	130	57	95	222	160	377	274	26.29
55	65	70	145	65	105	260	185	433	310	37.6



Green Pin Bow Shackle With Safety Bolt

WLL	Bow Dia	Pin Dia	Eye Dia	Width Eye	Width Inside	Length Inside	Width Bow	Length	Width Bow	Weight Each
tons	a mm	b mm	c mm	d mm	e mm	f mm	g mm	h mm	j mm	kg
0.5	7	8	16.5	7	12	29	20	48.5	34	0.06
0.75	9	10	20	9	13.5	32	22	56	40	0.11
1	10	11	22.5	10	17	36.5	26	63.5	46	0.16
1.5	11	13	26.5	11	19	43	29	74	51	0.22
2	13.5	16	34	13	22	51	32	89	58	0.42
3.25	16	19	40	16	27	64	43	110	75	0.74
4.75	19	22	46	19	31	76	51	129	89	1.18
6.5	22	25	52	22	36	83	58	144	102	1.77
8.5	25	28	59	25	43	95	68	164	118	2.58
9.5	28	32	66	28	47	108	75	185	131	3.66
12	32	35	72	32	51	115	83	201	147	4.91
13.5	35	38	80	35	57	133	92	227	162	6.54
17	38	42	88	38	60	146	99	249	175	8.19
25	45	50	103	45	74	178	126	300	216	14.22
35	50	57	111	50	83	197	138	331	28	19.85
42.5	57	65	130	57	95	222	160	377	274	28.33
55	65	70	145	65	105	260	185	433	310	39.59
85	75	83	162	73	127	329	190	527	340	62

